



# HORIZON 2020

Space for Climate & Smart Mobility

**27**

April  
2018

Paris

#H2020Paris



## **Non sewered bioelectrochemical system to produce water and resources from wasted water**

- I offer a skill: electrochemical treatment for non sewered sanitation systems
- I look for partners outside of France having complementary skills



## Topic: Water & Sanitation

### Project: Non sewered bio-electrochemical systems to produce water and resources from wasted water

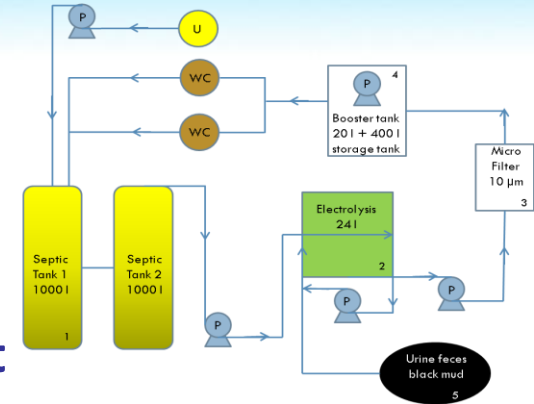
- R&D, development of prototype to manufacture non-sewered small treatment systems using electrochemical and biological technologies
- to produce treated water and resources such as nutrients, combustible, energy
- from wasted water of domestic, public or industrial users
- The aim is to make a small plug-and-play system to treat on site (avoiding logistics) from 100 to 1000 (or more) inhabitants,
- Systems to install in buildings, public areas, public events, construction sites, migrants camps, touristic places...



**Our technology: a non sewered sustainable electrochemical sanitation system for public toilets, producing clean water**

**Our aim: to add the biological treatment and recycling of resources + to enlarge the treatment to all wasted water**

**The partners sought for: R&D experts in biological treatment and recycling of resources, sanitation systems, wasted water treatment and recycling**



1. Mix of urines and feces **degraded** by enzymes and bacteria
2. Electrolysis for 4 h where **chlorous agents are created**
3. Use of **filter to remove** possible solid matter
4. Treated water is **stored** and then **pumped** to toilets
5. Treatment of black mud by **hydrothermal carbonization**



## Contact

- Cecile Dekeuwer
- WeCo (SME)
- General Direction
- [dekeuwer@water-ecoquette.com](mailto:dekeuwer@water-ecoquette.com)
- +336 2723 4597
- <http://en.water-ecoquette.com/>